

# 1200 Series | Activity Tables

Uniflex 1200 series activity tables are available in a range of sizes with three leg height options.

## 1-1/8" Particleboard Core with Radius Profile Vinyl T-Mold Edge (R)

Work surface is constructed of a 1-1/8" thickness 45# particleboard core with high-pressure laminate (HPL) top surface and phenolic backer sheet for balanced construction. 1-1/8" radius profile vinyl edge (t-mold) is secured to the bottom throughout the perimeter of the top to prevent the edge from pulling away.

## 1" Medium Density Fiberboard (MDF) Core with Permatuff Radius Edge (Z)

Work surface is constructed of 1" thickness MDF with high-pressure laminate (HPL) top surface and a phenolic backer sheet for balanced construction. Durable two part polyurethane epoxy resin is chemically bonded to the edge of the work surface to create a durable, impact resistant seamless edge.

## Stretcher Bar Assembly

Stretcher bar is 16-gauge 1"x1" tube permanently attached to the underside of the top equal distance from the sides and running lengthwise of the tabletop. Stretcher bar is attached with screws. (Standard on 1235, 1246, 1230, 1250, 1254, 1240, 1260, 1270).

## Quick-Set Leg Brackets

All tops include 13-gauge triangular steel quick-set brackets that are factory installed to the top with three (3) #10 x 3/4" pan head screws. Quick-set bracket includes a 1/2" flange that provides clearance for the leg base plate to slide underneath. Quick-set bracket permits easy leg attachment with four (4) #12 x 7/8" pan head screws.

## Glides

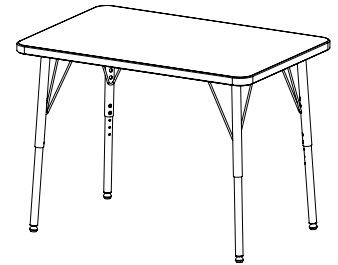
Glide types include Swivel, Q-Ball and Boot glides. Steel swivel glides utilize an internal star clip and are available in nylon, steel, non-skid (soft rubbery base material made of elastomer/rubber/TPR) and Floor-Saver (unique patented nylon material and shape) options to accommodate a variety of flooring types. A corrosion resistant nylon swivel glide is also available. Q-Ball glides are made of a dense polyethylene rubber material with a metal holding clip. Boot glides are made of a non-skid rubber base with a metal holding clip.

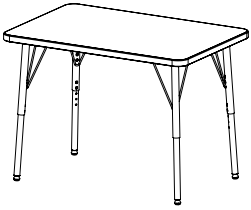
## Leg Packages

For adjustable leg packages, upper leg is constructed of 1 1/8" 18-gauge tubular steel welded to a 13-gauge 9 1/4"x7" triangular plate. An 8mm wire "V" shaped brace is welded to the leg and receiving plate. Upper leg is available in nickel chrome or powder coat finish; completed after welding for improved aesthetics. Lower leg (inserts) is made of 18-gauge tubular steel in nickel chrome and receive Phillips locking adjustment bolts in 1" increments. Leveling capability of 1/8" to adjust for uneven floors. Height adjustment leg options include 21"-29" and 16"-24". Fixed leg is constructed of 1 1/8" 18-gauge tubular steel welded to a 13-gauge 9 1/4"x7" triangular plate. An 8mm wire "V" shaped brace is welded to the leg and receiving plate. Available in nickel chrome or powder coat finish; completed after welding for improved aesthetics. Fixed height of 29".

## Compliance

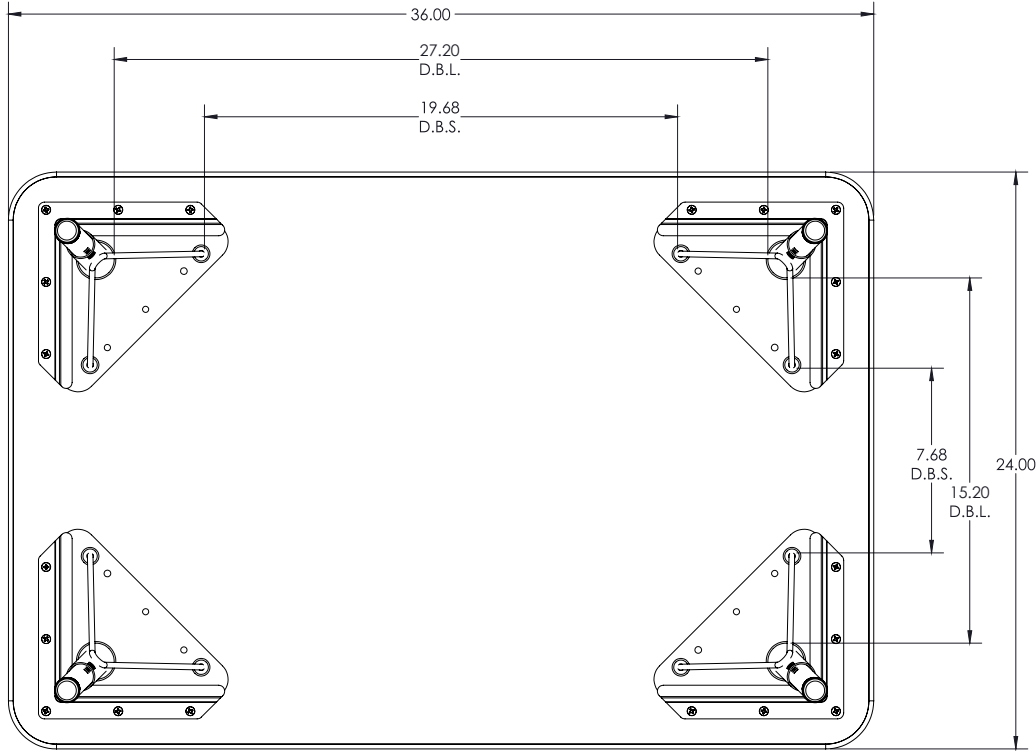
- > GreenGuard Certified
- > Complies with Consumer Products Safety Improvement Act (CPSIA) of 2008





# 1200 Series | Activity Tables

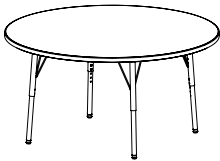
## Rectangle



BASE MODEL	TOP		LEG HEIGHT			D.B.L.		D.B.S.	
	DEPTH "	WIDTH "	ADULT	YOUTH	FIXED	DEPTH "	WIDTH "	DEPTH "	WIDTH "
1206	24.0"	36.0"	21" – 29"	16"-24"	29"	15.2"	27.2"	7.68"	19.68"
1210	24.0"	48.0"	21" – 29"	16"-24"	29"	15.2"	39.2"	7.68"	31.68"
1235	24.0"	60.0"	21" – 29"	16"-24"	29"	15.2"	51.2"	7.68"	43.68"
1246	24.0"	72.0"	21" – 29"	16"-24"	29"	15.2"	63.2"	7.68"	55.68"
1220	30.0"	48.0"	21" – 29"	16"-24"	29"	21.2"	39.2"	13.68"	31.68"
1230	30.0"	60.0"	21" – 29"	16"-24"	29"	21.2"	51.2"	13.68"	43.68"
1250	30.0"	72.0"	21" – 29"	16"-24"	29"	21.2"	63.2"	13.68"	55.68"
1240	36.0"	60.0"	21" – 29"	16"-24"	29"	27.2"	51.2"	19.68"	43.68"
1260	36.0"	72.0"	21" – 29"	16"-24"	29"	27.2"	63.2"	19.68"	55.68"

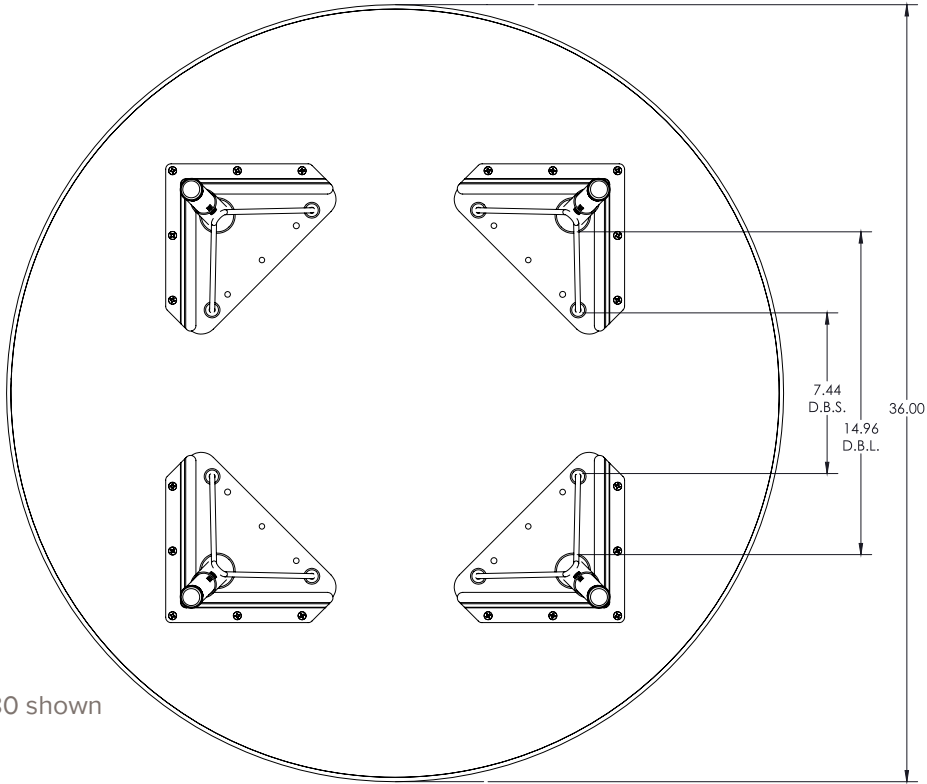
\* **D.B.L.** - Distance **B**etween **L**egs  
 \* **D.B.S.** - Distance **B**etween **S**upports

artcobell



# 1200 Series | Activity Tables

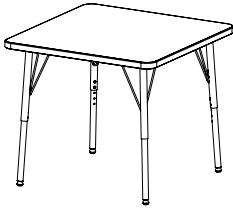
## Round



\* Model 1280 shown

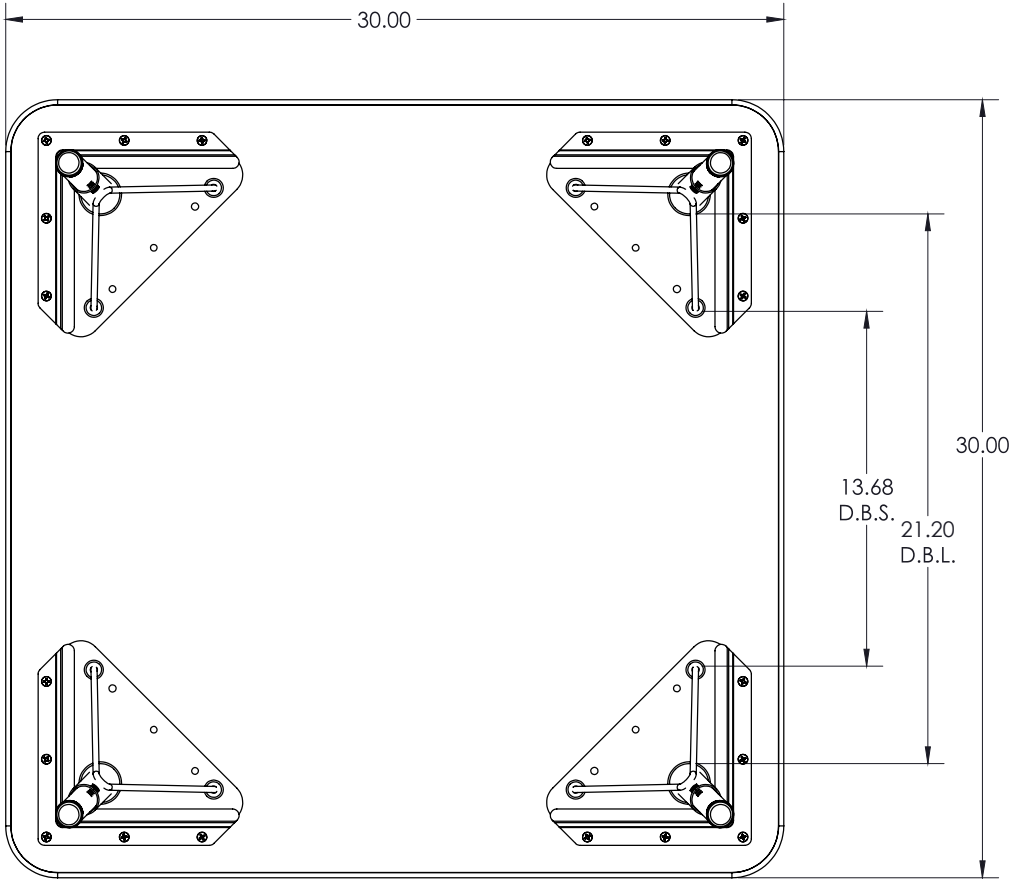
BASE MODEL	TOP DIAMETER "	LEG HEIGHT			D.B.L.		D.B.S.	
		ADULT	YOUTH	FIXED	DEPTH "	WIDTH "	DEPTH "	WIDTH "
1282	36.0"	21" – 29"	16"-24"	29"	14.96"	14.96"	7.44"	7.44"
1281	42.0"	21" – 29"	16"-24"	29"	19.2"	19.2"	11.69"	11.69"
1280	48.0"	21" – 29"	16"-24"	29"	23.44"	23.44"	15.93"	15.93"
1286	60.0"	21" – 29"	16"-24"	29"	31.87"	31.87"	24.35"	24.35"

\* **D.B.L.** - Distance **B**etween **L**egs  
 \* **D.B.S.** - Distance **B**etween **S**upports



# 1200 Series | Activity Tables

## Square



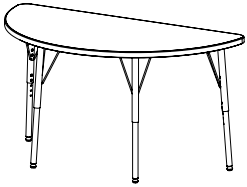
\* Model 1205 shown

BASE MODEL	TOP		LEG HEIGHT			D.B.L.		D.B.S.	
	DEPTH "	WIDTH "	ADULT	YOUTH	FIXED	DEPTH "	WIDTH "	DEPTH "	WIDTH "
1207	30.0"	30.0"	21" – 29"	16"-24"	29"	21.2"	21.2"	13.68"	13.68"
1205	36.0"	36.0"	21" – 29"	16"-24"	29"	27.2"	27.2"	19.68"	19.68"
1215	42.0"	42.0"	21" – 29"	16"-24"	29"	33.2"	33.2"	25.68"	25.68"
1225	48.0"	48.0"	21" – 29"	16"-24"	29"	39.2"	39.2"	31.68"	31.68"

\* **D.B.L.** - Distance **B**etween **L**egs

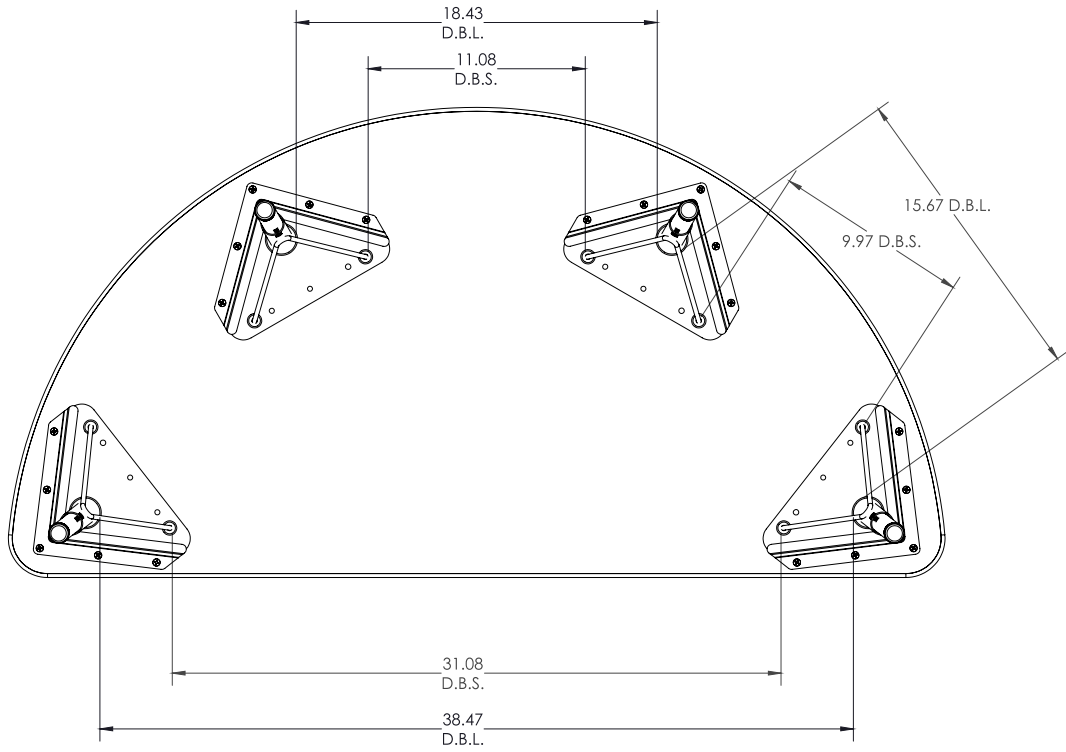
\* **D.B.S.** - Distance **B**etween **S**upports

artcobell



# 1200 Series | Activity Tables

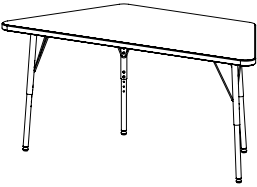
## Half Round



BASE MODEL	TOP		LEG HEIGHT			D.B.L.			D.B.S.		
	DEPTH "	WIDTH "	ADULT	YOUTH	FIXED	DEPTH "	FRONT WIDTH "	REAR WIDTH "	DEPTH "	FRONT WIDTH "	REAR WIDTH "
1285	24.0"	48.0"	21" – 29"	16"-24"	29"	15.67"	38.47"	18.43"	9.97"	31.08"	11.08"

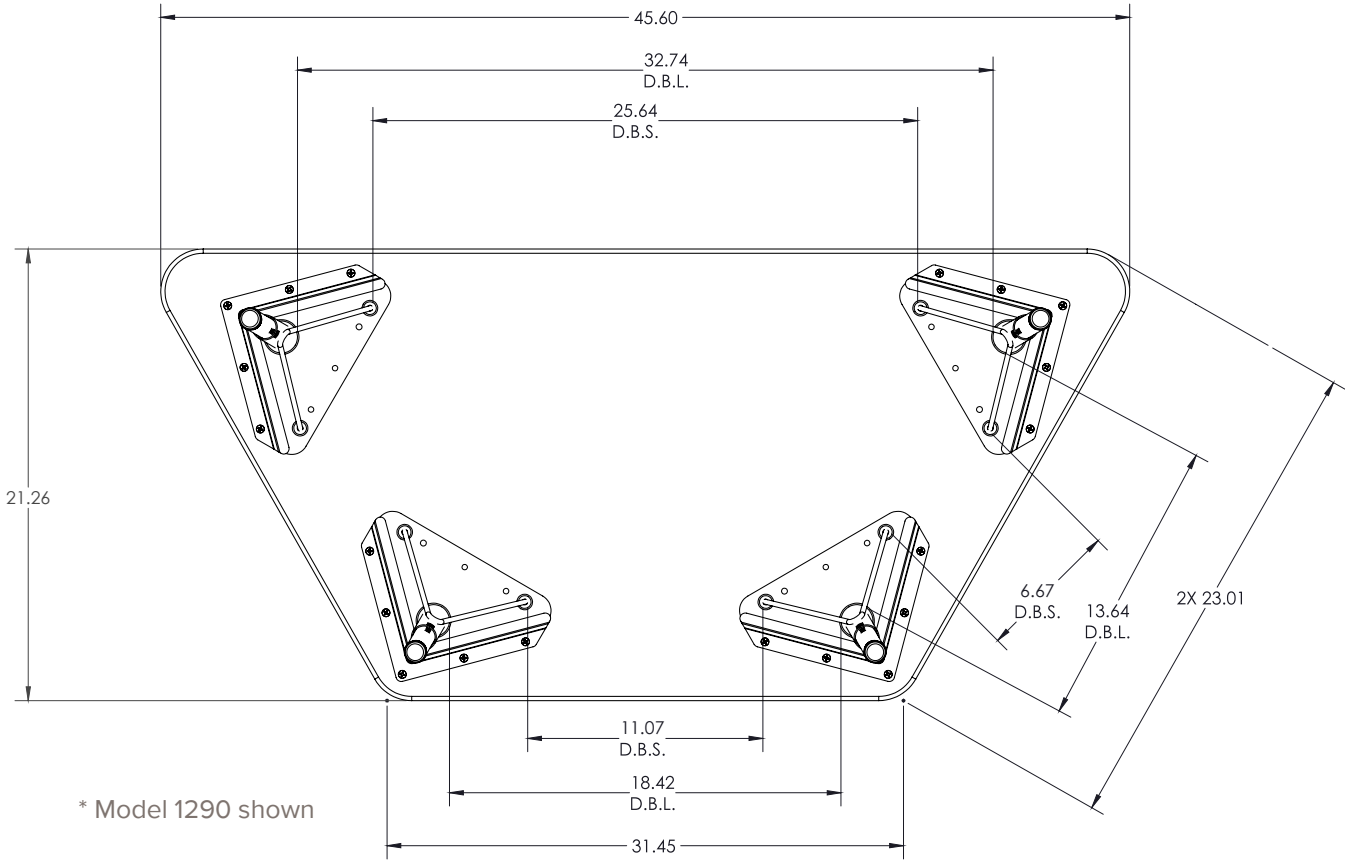
\* **D.B.L.** - Distance **B**etween **L**egs  
 \* **D.B.S.** - Distance **B**etween **S**upports

artcobell



# 1200 Series | Activity Tables

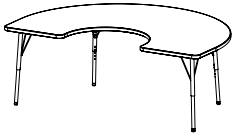
## Trapezoid



BASE MODEL	TOP		LEG HEIGHT			D.B.L.			D.B.S.		
	DEPTH "	WIDTH "	ADULT	YOUTH	FIXED	DEPTH "	FRONT WIDTH "	REAR WIDTH "	DEPTH "	FRONT WIDTH "	REAR WIDTH "
1291	24.0"	48.0"	21" – 29"	16"-24"	29"	13.64"	18.42"	32.74"	6.67"	11.07"	25.64"
1290	30.0"	60.0"	21" – 29"	16"-24"	29"	19.14"	24.13"	44.09"	12.07"	16.78"	37.0"

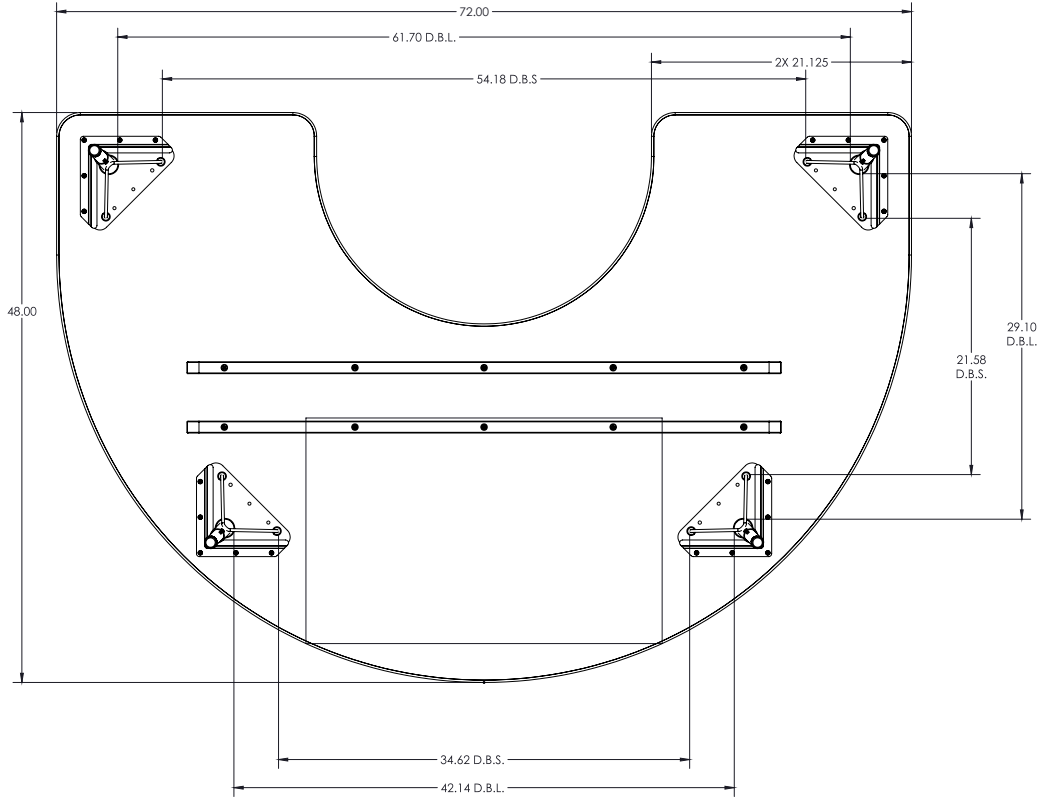
\* **D.B.L.** - Distance **B**etween **L**egs  
 \* **D.B.S.** - Distance **B**etween **S**upports

artcobell



# 1200 Series | Activity Tables

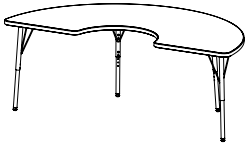
## Horseshoe



BASE MODEL	TOP		LEG HEIGHT			D.B.L.			D.B.S.		
	DEPTH "	WIDTH "	ADULT	YOUTH	FIXED	DEPTH "	FRONT WIDTH "	REAR WIDTH "	DEPTH "	FRONT WIDTH "	REAR WIDTH "
1276	48.0"	72.0"	21" – 29"	16"-24"	29"	29.1"	42.14"	61.7"	21.58"	34.62"	54.18"
1277	60.0"	66.0"	21" – 29"	16"-24"	29"	36.36"	46.55"	56.38"	28.84"	39.04"	48.86"

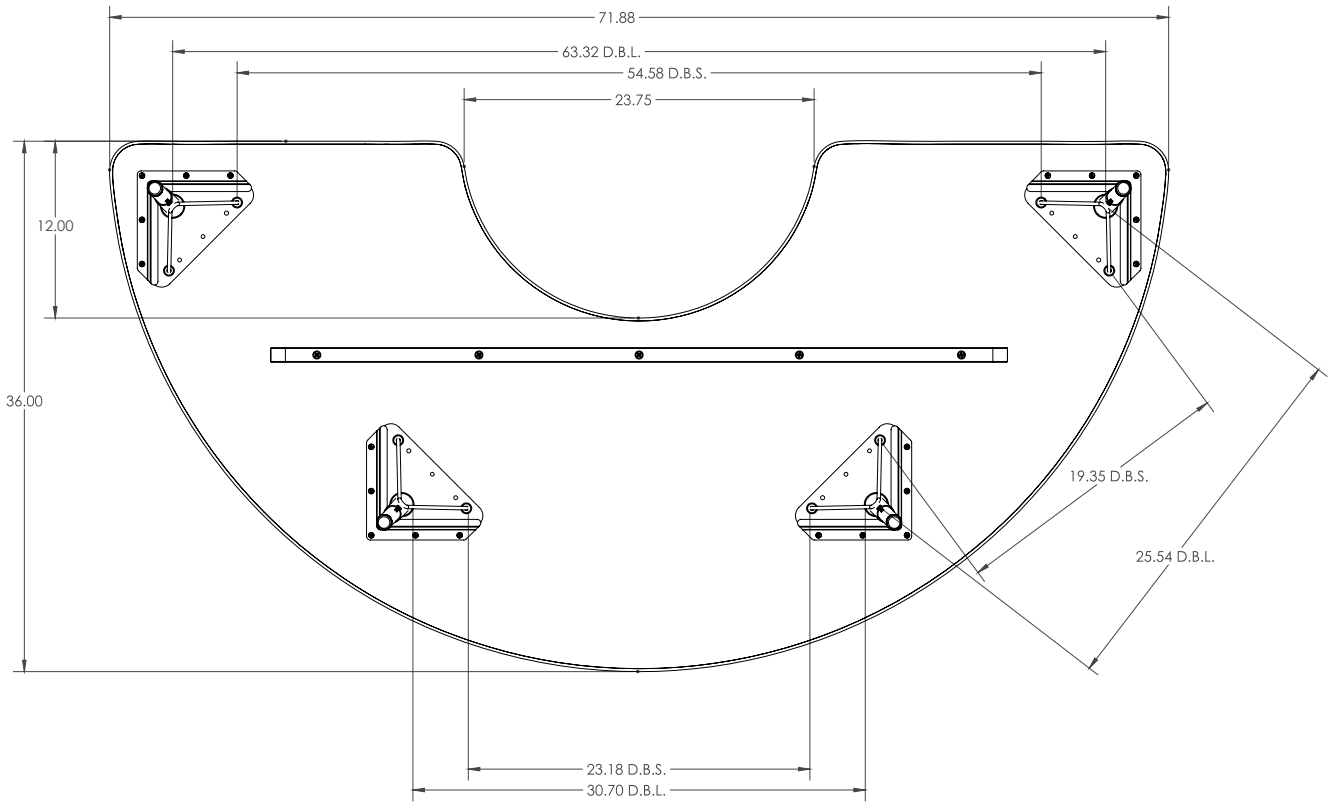
\* **D.B.L.** - Distance **B**etween **L**egs  
 \* **D.B.S.** - Distance **B**etween **S**upports

artcobell



# 1200 Series | Activity Tables

## Half Moon

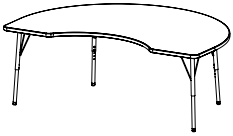


BASE MODEL	TOP		LEG HEIGHT			D.B.L.			D.B.S.		
	DEPTH "	WIDTH "	ADULT	YOUTH	FIXED	DEPTH "	FRONT WIDTH "	REAR WIDTH "	DEPTH "	FRONT WIDTH "	REAR WIDTH "
1274	36.0"	72.0"	21" - 29"	16"-24"	29"	25.54"	30.7"	63.32"	19.35"	23.18"	54.58"

\* D.B.L. - Distance **B**etween **L**egs  
 \* D.B.S. - Distance **B**etween **S**upports

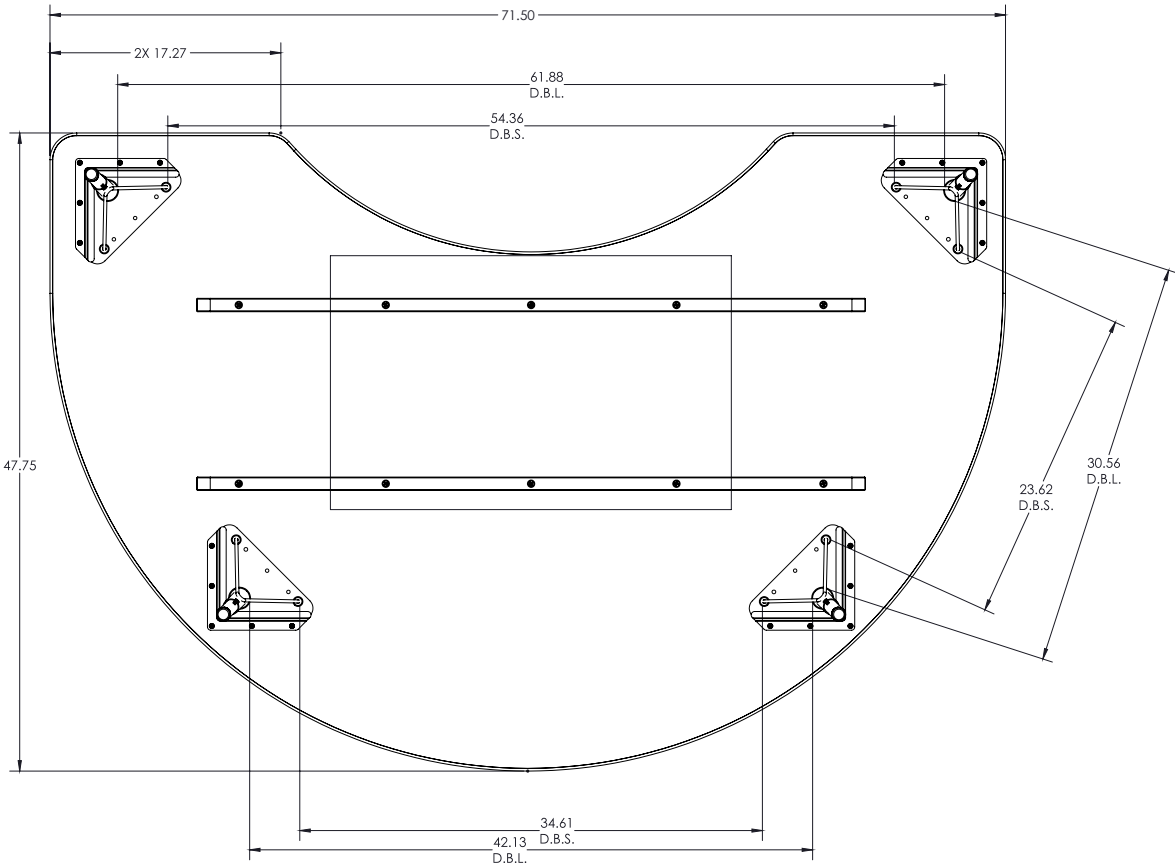
artcobell





# 1200 Series | Activity Tables

## Kidney



BASE MODEL	TOP		LEG HEIGHT			D.B.L.			D.B.S.		
	DEPTH "	WIDTH "	ADULT	YOUTH	FIXED	DEPTH "	FRONT WIDTH "	REAR WIDTH "	DEPTH "	FRONT WIDTH "	REAR WIDTH "
1275	48.0"	72.0"	21" – 29"	16"-24"	29"	30.56"	42.13"	61.88"	23.62"	34.61"	54.36"

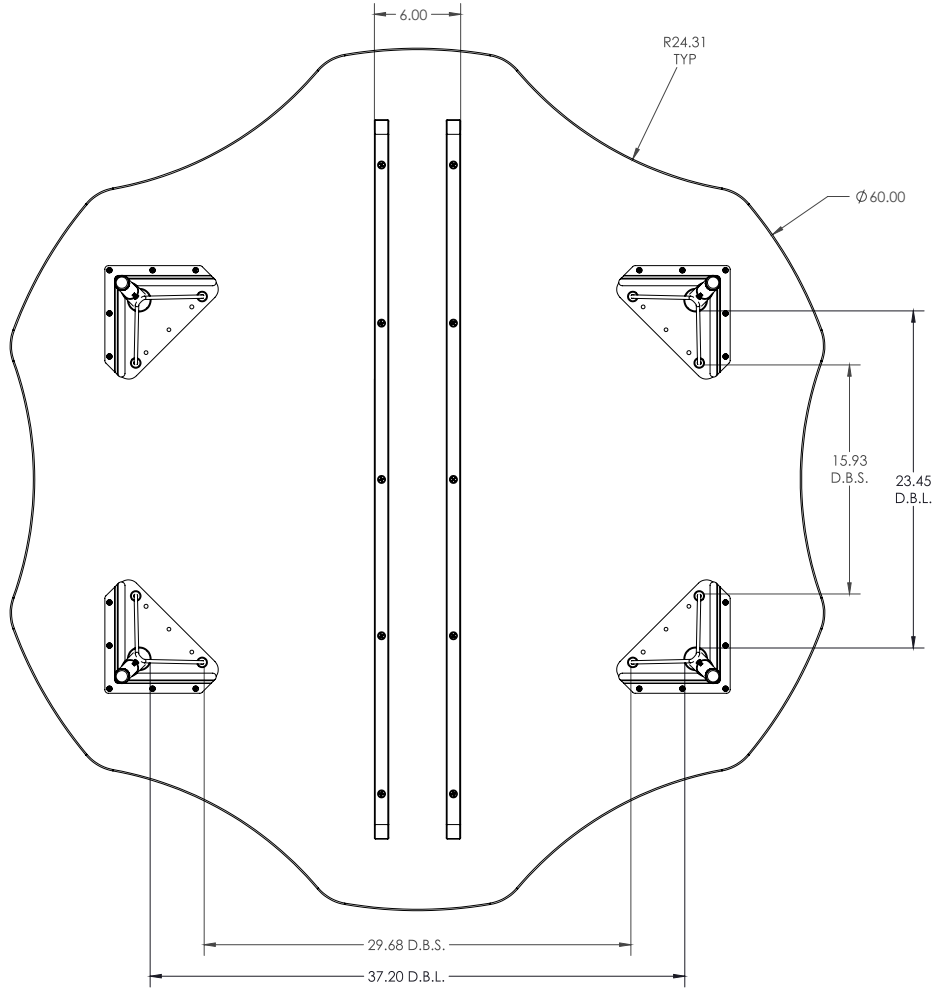
\* **D.B.L.** - Distance **B**etween **L**egs  
 \* **D.B.S.** - Distance **B**etween **S**upports

artcobell



# 1200 Series | Activity Tables

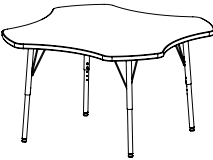
## Flower



BASE MODEL	TOP	LEG HEIGHT			D.B.L.		D.B.S.	
	DIAMETER "	ADULT	YOUTH	FIXED	DEPTH "	WIDTH "	DEPTH "	WIDTH "
128F	60.0"	21" – 29"	16"-24"	29"	23.45"	31.2"	15.93"	29.68"

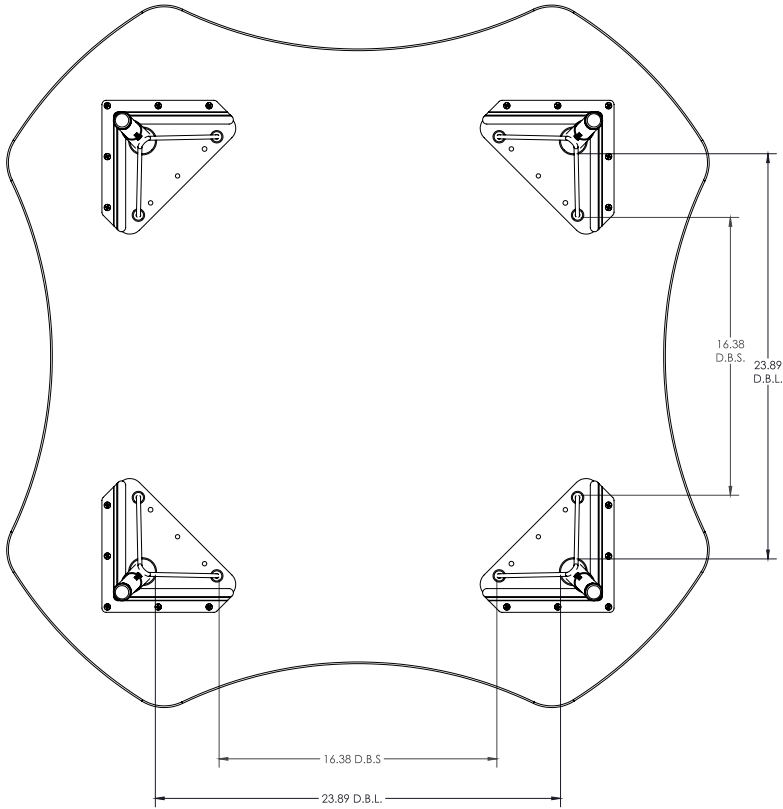
\* **D.B.L.** - Distance **B**etween **L**egs  
 \* **D.B.S.** - Distance **B**etween **S**upports

artcobell



# 1200 Series | Activity Tables

## Clover



BASE MODEL	TOP	LEG HEIGHT			D.B.L.		D.B.S.	
	DIAMETER "	ADULT	YOUTH	FIXED	DEPTH "	WIDTH "	DEPTH "	WIDTH "
128C	48.0"	21" – 29"	16"-24"	29"	23.89"	23.89"	16.38"	16.38"

\* **D.B.L.** - Distance **B**etween **L**egs  
 \* **D.B.S.** - Distance **B**etween **S**upports